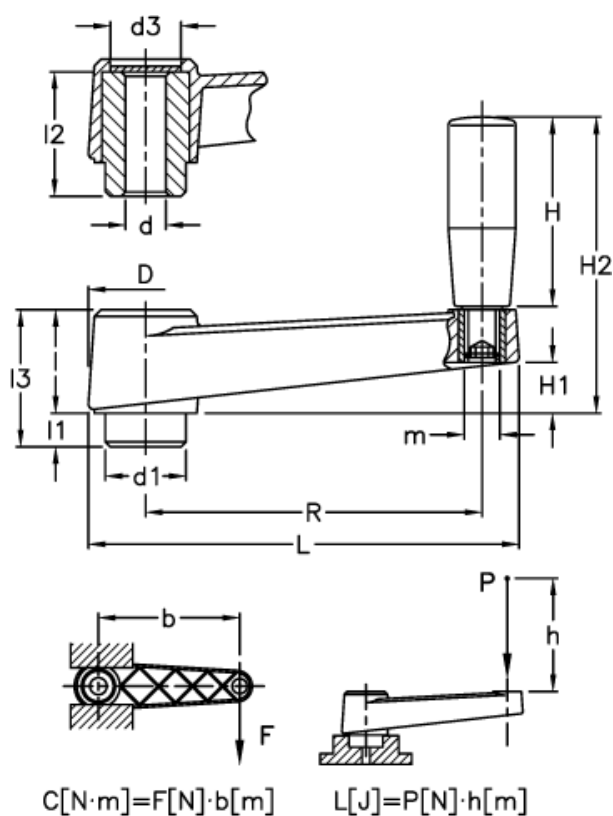


# Data Sheet



Article number: 2301044301  
Description: E+G Crank handle  
MT.100-A12

## Measures



C (N m) = 200	l	= 30
D = 34	L	= 128
d1 = 24	L (J) = 27	
d3 = 21	l1 = 10	
d H7 = 12	l2 = 37	
H = 65	l3 = 40	
H1 = 15	m = M8	
H2 = 96	R = 100	